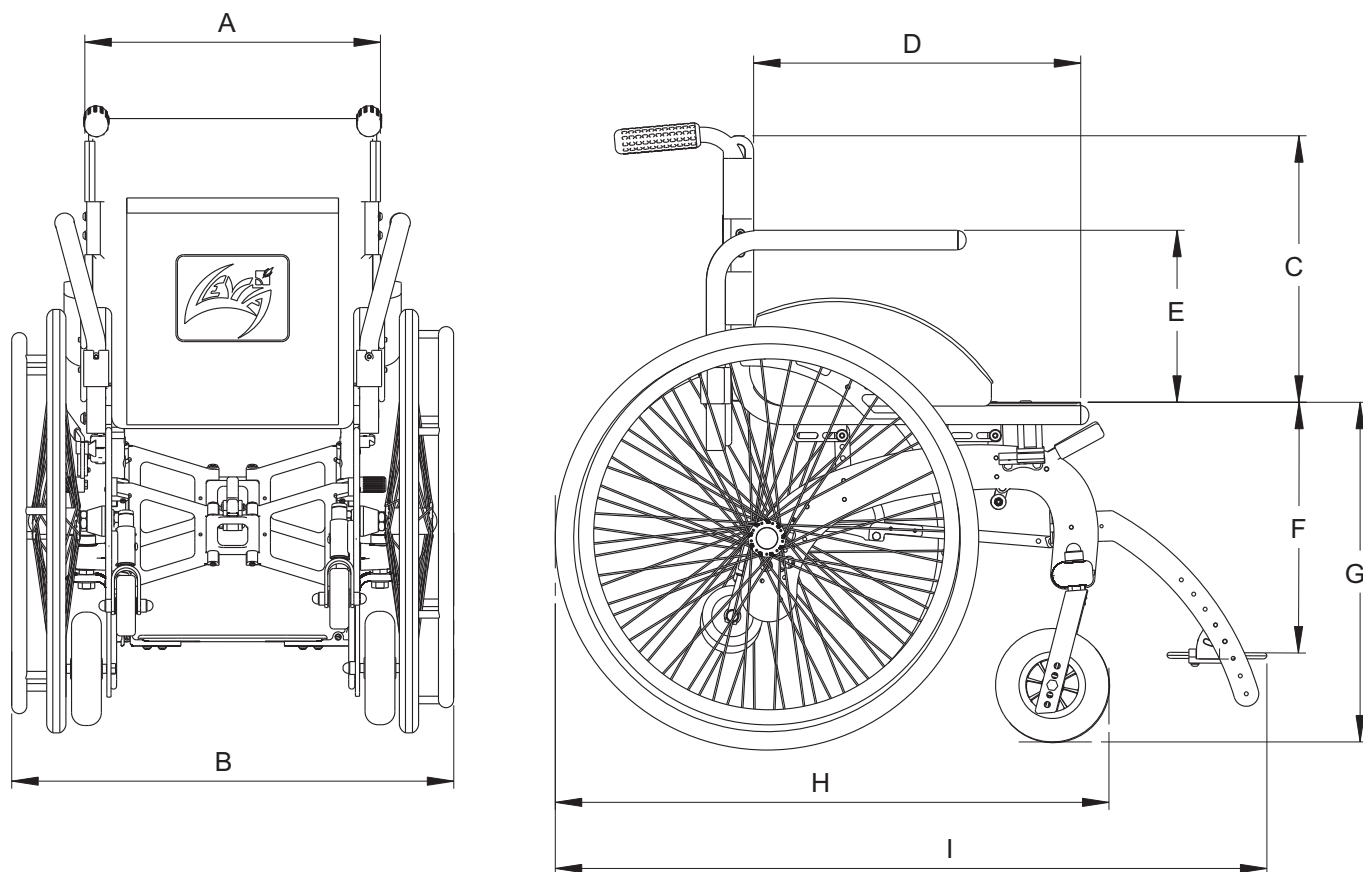


## GENERAL FEATURES

Maximum user weight	<b>150 kg</b>
Empty weight	<b>13 kg</b>
Maximum safe slope	<b>21°</b>

## TECHNICAL INFORMATION



A SIZE [cm]	B TOTAL WIDTH [cm]	C BACKREST HEIGHT [cm]	D SEAT DEPTH [cm]	E ARMREST HEIGHT [cm]	F LEGREST LENGHT [cm]	G SEAT HEIGHT [cm]	H GLOBAL DEPTH. [cm]	I GLOBAL DEPTH INCLUDING LEGREST [cm]
36	58	36-41	36-44	20-30	34.5-41	45-48	73	94
38	60							
40	62							
42	64							
44	66							

These information may vary according to the specific customization of each wheelchair.